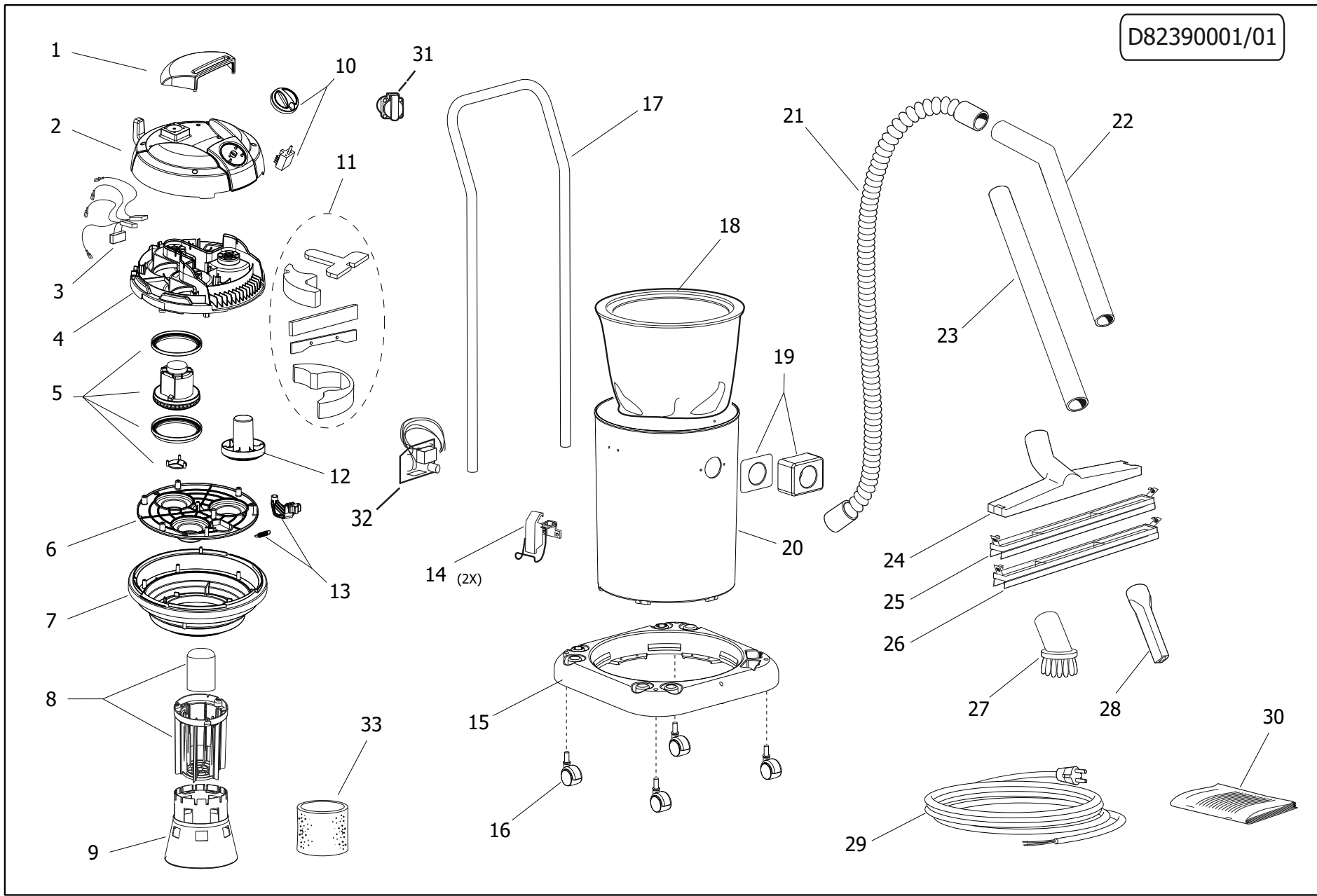


D82390001/01



Pos.	Code	Substituted by	Q.ty	Purchasable	Min. Q.ty	For mainten.	Description
001	4.208.0582		1	Yes	1		YELLOW HANDLE VACUUM CLEANER WINDY (P82.0487)
002	4.208.0512		1	Yes	1		GREY HEAD FOR WINDY RAL.7016 (PANT.432C) (P82.0487)
003	4.212.0038		1	Yes	1		WIRING CABLES FOR WINDY
004	4.208.0581		1	Yes	1		YELLOW UNDER COVER VACUUM CLEANER WINDY (P82.0487)
005	6.205.0140		1	Yes	1	EXT	KIT MOTOR 230/50 + GASKETS WINDY
006	4.208.0522		1	Yes	1		WASHER LOWER VACUUM CLEANER P82.0487
007	4.208.0521		1	Yes	1		GREY BASE FOR WINDY RAL.7016 (PANT.432C) (P82.0487)
008	6.205.0145		1	Yes	1		KIT BASKET + FLOAT WINDY
009	4.208.0076		1	Yes	1		CONE
010	6.205.0141		1	Yes	1		KIT SWITCH +KNOB WINDY
011	6.205.0142		1	Yes	1	EXT	KIT SPONGES WINDY
012	4.208.0532		1	Yes	1		FAKE MOTOR BODY
013	6.205.0143		1	Yes	1		KIT SHAKER WINDY
014	3.099.0454		2	Yes	1	EXT	HOOK 2.05/621 ZNT FOR BODY
015	4.208.0323		1	Yes	1		BASE FOR DRUM
016	3.006.0067		4	Yes	1		BLAK WHEEL DOUBLE NO TRACE GREY
017	5.213.0006		1	Yes	1		HANDLE FOR VACUUM CLEANER
018	5.209.0169	6.205.0151	1	Yes	1		CLOTH FILTER + RING
019	6.205.0071		1	Yes	1		KIT GASKET+PIPE UNION FOR PROF ESSIONAL VACCUM
020	3.751.0032		1	Yes	1		S/S TANK
021	5.209.0021		1	Yes	1	EXT	COMPLETE FLEXIBLE HOSE MT. 2.5 D.40
022	3.753.0109		1	Yes	1		CURVED EXTENSION D.40MM
023	3.753.0110		1	Yes	1		EXTENSION D.40MM
024	3.754.0083		1	Yes	1		BRUSH HOLDER D.37 L=400 MM
025	3.754.0085		1	Yes	1		LIQUID FLOOR BRUSH
026	3.754.0084		1	Yes	1		BRISTLES FLOOR BRUSH
028	3.754.0048		1	Yes	1		FLAT LANCE D.40
029	4.012.0305		1	Yes	1		CABLE H05VV-F 2X1.5 MT 5.4 SCHUKO PLUG
030	7.300.0415	7.300.0516	1	Yes	1		INSTRUCTION MANUAL FOR WINDY